

# SPA PUMP POSITIONS

In order for us to build your own spa bath we ask that you to nominate your choice of pump position (see below). The pump has to be accessible for maintenance and can be located in a number of areas.

1. Either under the bath rim (with access through the wall from the outside or adjoining room)
2. Taken through and fixed to an external wall housed in an adjoining room or cupboard or within the tiled hob of the bath enclosure.

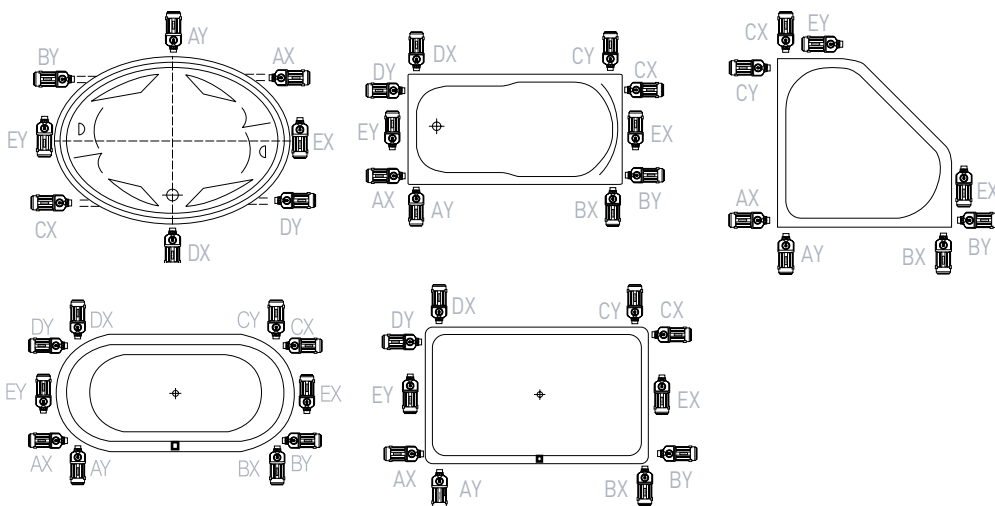
For optimum performance the pump should be no more than 1.2m from the spa with no direction changes. The external pump positions of AX, AY, BX, BY, CX, CY, DX, DY are outside the perimeter of the bath. Therefore the pipework finishes flush with the edge of the bath and we supply 300mm of pipework, loose couplings and the barrel unions so the final connection can be completed on site.

Should you wish to locate the pump more than this distance away from the spa, please nominate the length of extension pipework required (max 1.2m recommended).

It is important that the height of the pump should be at the same level as our finished pipework.

All spa pumps are factory water tested and supplied with the relevant pipework including the barrel union connections. The height of the pump is established in the factory to ensure the system will prime and self waste.

## Santai & Contour Pump Positions



## Dolce Vita Pump Positions

