

STAINLESS WASHROOM ACCESSORIES



ACTEC

Solutions for

Health, Aged Care & Accessibility Areas
Food Preparation & Processing Plants
Hotels & Shopping Centers
Sports & Leisure Facilities
Education & Universities

ACTEC



The Actec Washroom Accessories range are all made from the highest quality AISI 304 Stainless Steel for maximum durability and for its hygienic and easy maintenance qualities.

The Actec range has been designed to withstand heavy use in all commercial applications. It has been specifically selected to compliment our “green” range of water & energy efficient tapware and enhance your facility through its high level of hygiene and easy maintenance.

Market Usage

Health & Aged Care, Disabled & Accessibility, Food Industry & Processing, Shopping Centres, Schools & universities, Sport & Leisure Centres, Spas & Hotels, Commercial Applications

Technology

The technology used in conjunction with our Actec products ensures minimum use of power and consumables while providing high level hygiene systems fit for any commercial bathroom.

Configurations

Options

Paper Towel Holders
Soap Dispensers
In Wall Combination Units
Hand Dryer
Other Items available on request

Associated Products

Smartec - Electronic Tapware
Cleanline - Lever Action Taps
Flomix - Mixing Valves
Comcare - Accessible Design Products
Flostop - Time Flow Tapware

Stainless Steel 304 Graded	Thickness 1.2mm and 0.9mm
Finish Satin High Gloss available on request	

Warranty

Our standard warranty terms and conditions for this range is 2 years. For further information, please refer to our standard warranty terms and conditions of sale.

Gentec Products Combining leading edge, technology, design, innovation

The Gentec Australia product offering delivers fit for purpose products that are globally recognised, designed and manufactured to incorporate the best technology, sustainability and durability for any commercial application.

ACTEC

Product

Technical Drawing

Specifications

		<p>Code ACT7000   </p> <p>Stainless Steel Hand Operated Soap Dispenser</p>
		<p>Code ACT8000   </p> <p>Stainless Steel Paper Towel Dispenser</p>
		<p>Code ACT8100   </p> <p>Stainless Steel Toilet Roll Holder</p>
		<p>Code ACT8150   </p> <p>Stainless Steel Toilet Roll Holder</p>


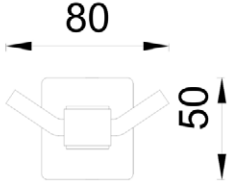
Applicable Market  Commercial  Health  Industrial  Hospitality  Scientific


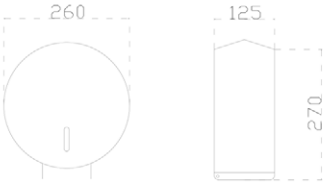
ACTEC


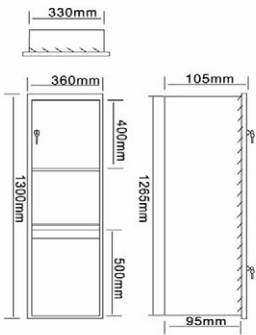
Product

Technical Drawing

Specifications

		<p>Code ACT8300 ● ● ●</p> <p>Stainless Steel Robe Hook</p>
---	---	--

		<p>Code ACT8400 ● ● ●</p> <p>Stainless Steel Jumbo Toilet Roll Holder</p>
--	--	---

		<p>Code ACT8500 ● ● ●</p> <p>Stainless Steel Recessed Paper Towel and Waste Bin</p>
---	---	---