

# ANTI-LIGATURE SYSTEMS



R3  
ANTI-LIGATURE



## ANTI LIGATURE

### Solutions for

Hospitals  
Health & Aged Care Facilities  
Corrective Facilities  
Public Facilities  
Police Stations

# ANTI LIGATURE



The Anti Ligature range includes heavy duty tapware that has been designed for high risk vandal facilities where health and safety is paramount.

The Anti Ligature range has a variety of heavy duty, durable taps and outlets that can be combined to suit the customer and its application. Their sleek designs and tamper-proof fixings make them perfect for any application where vandalism and user's safety needs to be considered.

## Market Usage

Prisons, Detention Centres, Commercial Facilities, Hospitals, Public Facilities, Sporting & Leisure Centres, Education, Council Amenities Facilities, Mental Health Facilities

## Technology

The Anti Ligature range has been designed for use in front of wall and back of wall systems. Back of wall products can be customised to suit any wall thickness for duct access and extra robustness.

## Configurations

### Options

Wall Mounted  
Basin Sets  
Shower Sets  
Push Button

Ceramic Disk (Standard)  
Non Rising Spindle (Optional)

### Associated Products

Flostop - Time Flow Tapware  
Flomix - Mixing Valves  
Smartec - Electronic Tapware

<b>Water Pressure</b> Minimum 50kpa Maximum 500kpa	<b>Temperature</b> Minimum 10°C Maximum 65°C	<b>Options</b> Mechanical Systems Hydraulic Systems Electronic Systems BMS Systems <i>*Other options available on request</i>
<b>Button Indicators</b> Red - Hot Blue - Cold Yellow - Warm	<b>Finish</b> Chrome Plated	

## Standard / Compliances

Install Gentec products in confidence. Our products are tested and certified to AS/NZ 3718, AS/NZ 4020 and WELS



## Warranty

Our standard warranty terms and conditions for this range is 2 years. For further information, please refer to our standard warranty terms and conditions of sale.

## Installation

Product must be installed in accordance with manufacturer's recommendations and to AS/NZ3500. It is recommended that a strainer is installed prior to the installation of this product and pressure does not exceed the manufacturer's recommendations.

**Gentec Products** Combining leading edge, technology, design, innovation

The Gentec Australia product offering delivers fit for purpose products that are globally recognised, designed and manufactured to incorporate the best technology, sustainability and durability for any commercial application.


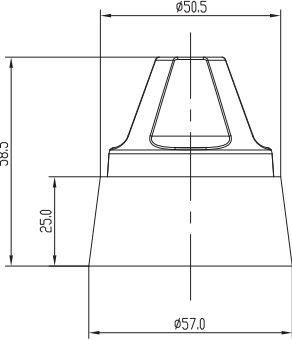



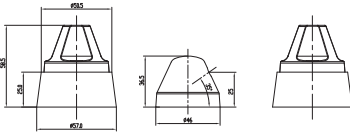
# ANTI LIGATURE


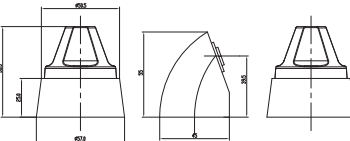
Product

Technical Drawing

Specifications

		<p><b>Code AV0025</b> <span style="float: right;">● ● ●</span></p> <p>Anti Ligature Recess / Basin Control Valve</p>
---	---	--

		<p><b>Code AV0001</b> <span style="float: right;">● ● ●</span></p> <p>Anti Ligature Hot &amp; Cold Basin Set with Anti Ligature Outlet - 6 Star 3.5lpm</p> <p><b>AV0002</b>      Single Temperature Basin Set - 6 Star 3.5lpm</p>
--	--	---

		<p><b>Code AV0075</b> <span style="float: right;">● ● ●</span></p> <p>Anti Ligature Shower Set with FLOSTOP Anti Vandal Shower Head (TFT6000) - 3 Star 9lpm</p>
---	---	---