
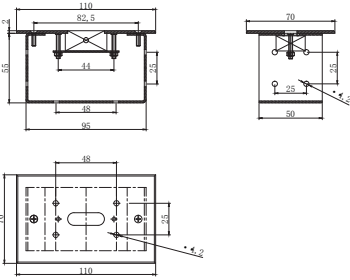



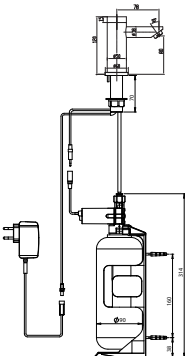
SMARTEC


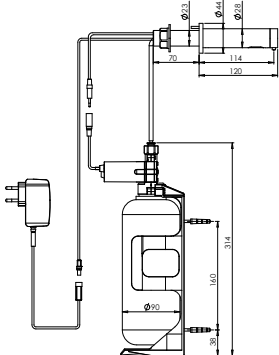
Product


Technical Drawing

Specifications

| | | |
|---|---|---|
|  |  | <p>Code STS3500BM ◆ ◆ ◆ ◆</p> <p>Electronic Single Temperature Wall Mounted Sensor Kit Only</p> <p>STS3500BM Mains and Battery Powered STS3500M Mains Powered STS3500B Battery Powered</p> |
|---|---|---|

| | | |
|--|--|---|
|  |  | <p>Code ST1020 ◆ ◆ ◆ ◆</p> <p>Electronic Single Temperature Bench Mounted Soap Dispenser - Mains Powered Only</p> |
|--|--|---|

| | | |
|---|---|--|
|  |  | <p>Code ST2520 ◆ ◆ ◆ ◆</p> <p>Electronic Single Temperature Wall Mounted Soap Dispenser - Mains Powered Only</p> |
|---|---|--|

| | | |
|---|--|--|
|  | <p>For more technical information contact Gentec</p> | <p>Code GF1000 ◆ ◆ ◆ ◆</p> <p>Electronic Urinal Flushing System with Ceiling Sensors</p> |
|---|--|--|