

# POINT OF USE THERMOSTATIC MIXERS



R5  
TEMPSET

 GENTEC



## TEMPSET

### Solutions for

Hospitals  
Health & Aged Care Facilities  
Accessible Areas  
Public Facilities  
Schools & Universities

# TEMPSET



The Tempset Thermostatic Mixers incorporates the same technology used in the Flomix range to create a convenient and easy to service point-of-use tapware.

The point-of-use, single lever progressive mixers alleviate any stagnant water and the risk of legionella growth. The operating mechanism used to blend the water temperatures is the same as the standard Flomix mixing valves. It provides safe and stable mixed water even at varying water conditions. The technology can be used in any commercial application where safety is paramount.

## Market Usage

Hospitals, Health & Aged Care, Child Care, Accessible Areas, Public Facilities, Sporting & Leisure Centres, Education, Council Amenities Facilities, Prisons, Detention Centres, Commercial Facilities

## Technology

The Tempset range uses the same Health Care approved thermostatic mixing valve found in the Flomix range. Like the Flomix valves, the products in the Tempset range include a built-in strainer, non-return valves and isolating valves for point-of-use servicing. These products also include a flushing by-pass; the by-pass adaptors are available on request.

## Configurations

### Options

Basin Mixer  
Exposed Wall Mixer  
Shower or Bath Mixer

### Optional

Flow Straightener (Standard)  
Laminar Flow

### Associated Products

Smartec - Electronic Tapware  
Cleanline - Lever Action Taps  
Flomix - Mixing Valves

<b>Water Pressure Dynamics</b> Minimum 20kpa Maximum 500kpa	<b>Mixed Temperature</b> Minimum 35°C Maximum 48°C	<b>Accuracy</b> ± 2°C
<b>Max Inlet Temperature</b> 85°C	<b>Minimum Flow</b> 4lpm	<b>Flow Rates</b> @ 250kpa = 42.5lpm @ 350kpa = 47lpm @ 500kpa = 54lpm
<b>Max Inlet Pressure Ratio</b> 10:1	<b>Water Pressure Static</b> Maximum 1400kpa	

## Standard / Compliances

Install Gentec products in confidence. Our products are tested and certified to AS/NZ 4032.2, AS/NZ 4020 and Health Care approved



## Warranty

Our standard warranty terms and conditions for this range is 2 years. For further information, please refer to our standard warranty terms and conditions of sale.

## Installation


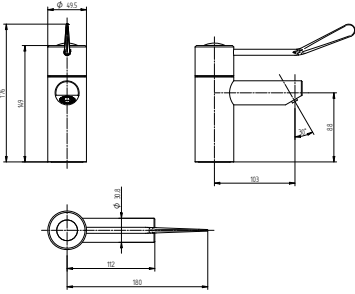
Product must be installed in accordance with manufacturer's recommendations and to AS/NZ3500. It is recommended that a strainer is installed prior to the installation of this product and pressure does not exceed the manufacturer's recommendations.


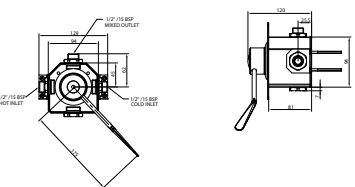
**Gentec Products** Combining leading edge, technology, design, innovation


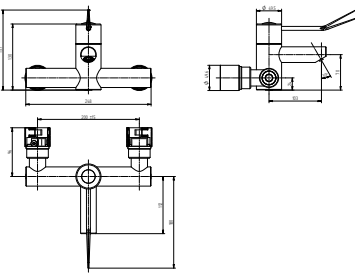
The Gentec Australia product offering delivers fit for purpose products that are globally recognised, designed and manufactured to incorporate the best technology, sustainability and durability for any commercial application.

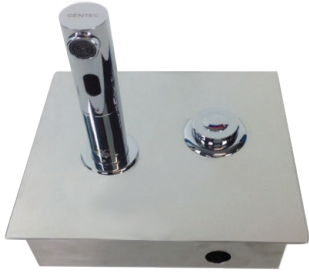
# TEMPSET

Product	Technical Drawing	Specifications
---------	-------------------	----------------

		<b>Code</b> MVPM10100 / MVPM10150 <span style="color: green;">◆</span> <span style="color: red;">◆</span> <span style="color: blue;">◆</span>
		Thermostatic Bench Mounted Mixing Tap  MVPM10100 100mm Levers MVPM10150 150mm Levers

		<b>Code</b> MVPM20100 / MVPM20150 <span style="color: green;">◆</span> <span style="color: red;">◆</span> <span style="color: blue;">◆</span>
		Thermostatic Recessed Shower or Bath Mixing Tap  MVPM20100 100mm Levers MVPM20150 150mm Levers

		<b>Code</b> MVPM30100 / MVPM30150 <span style="color: green;">◆</span> <span style="color: red;">◆</span> <span style="color: blue;">◆</span>
		Thermostatic Exposed Wall Mounted Mixing Tap  MVPM30100 100mm Levers MVPM30150 150mm Levers

	For more technical information contact Gentec	<b>Code</b> MVPM5000 <span style="color: green;">◆</span> <span style="color: red;">◆</span> <span style="color: blue;">◆</span>
		Point of Use Thermostatic Mixing Valve complete with Electronic Tap in Stainless Steel Enclosure - Battery and Mains Powered